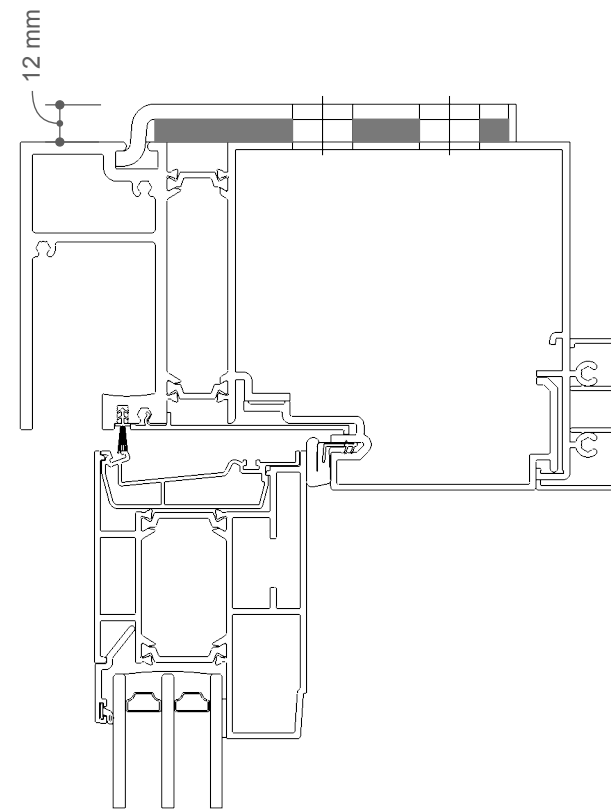
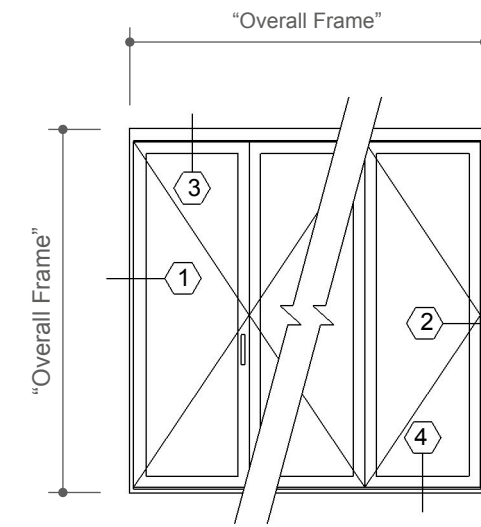


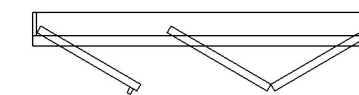
3. Head detail



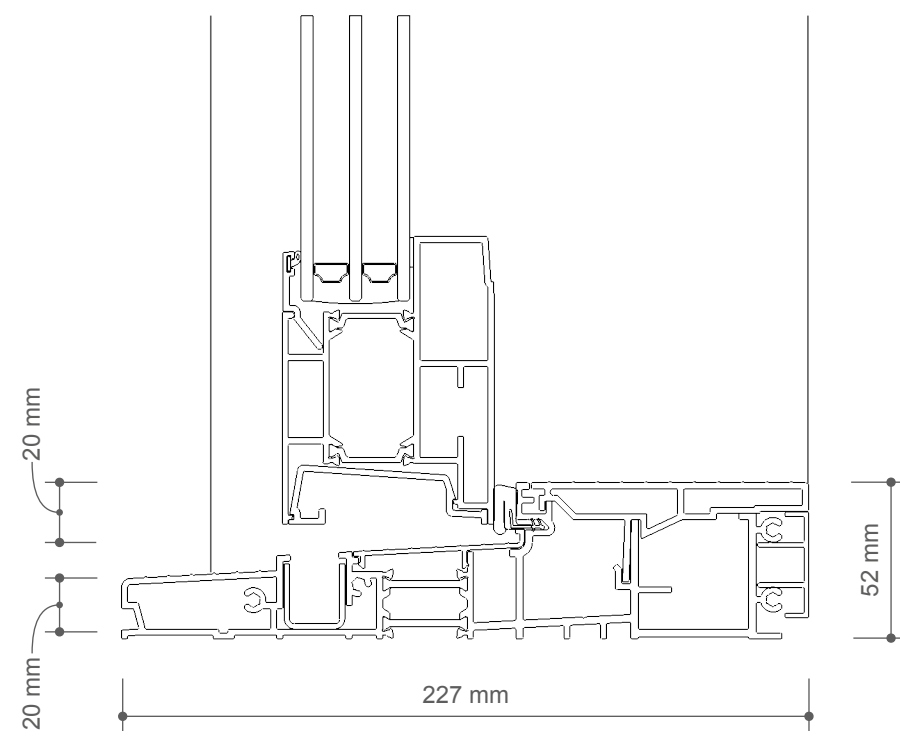
3a. Alternate head detail



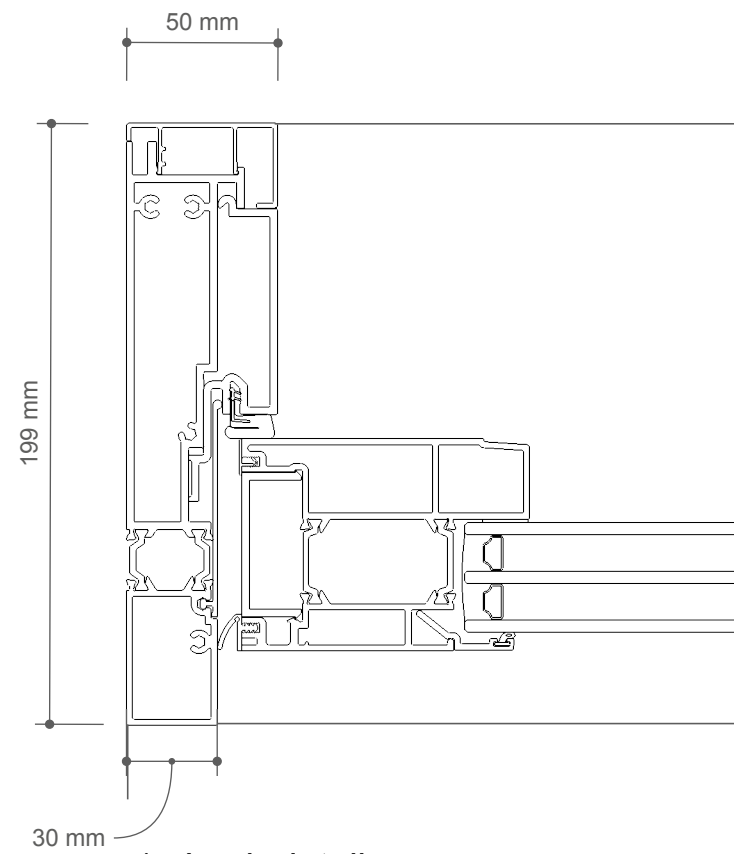
Elevation key



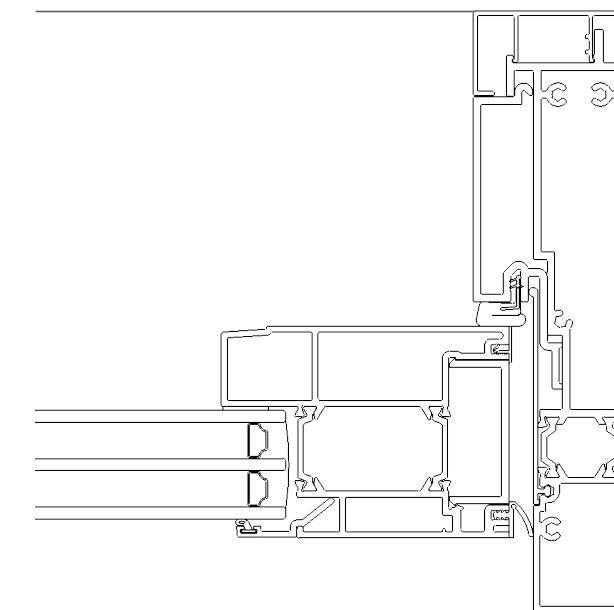
Plan key



4. Sill detail



1. Jamb detail



2. Jamb detail